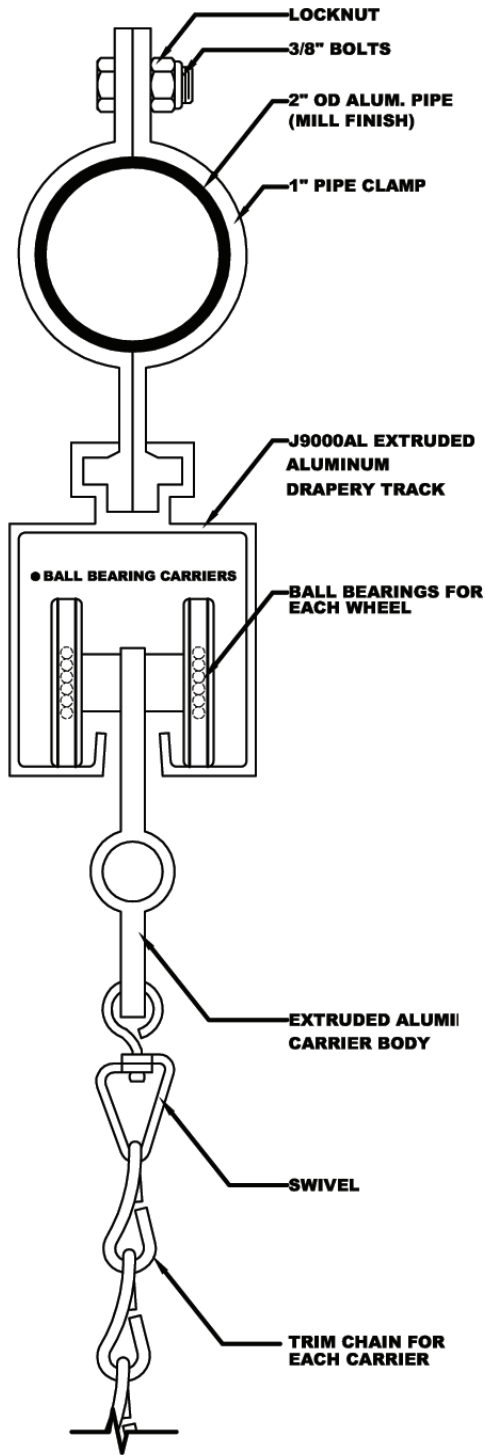


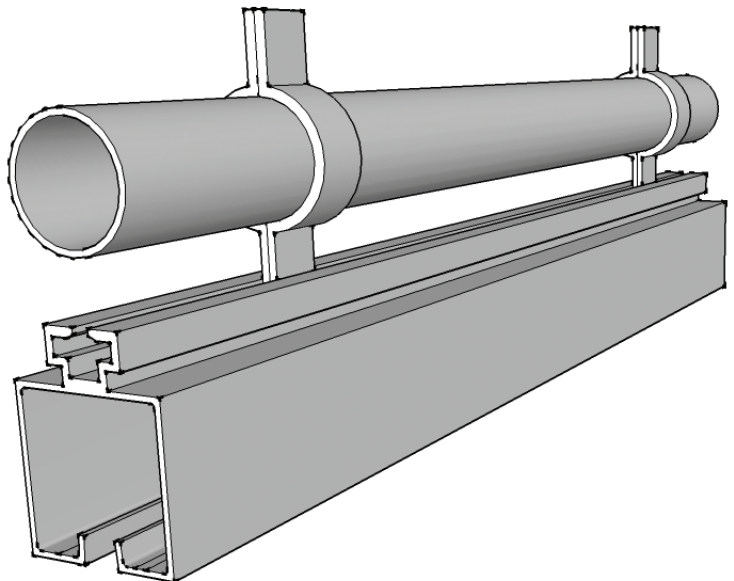
JANSON INDUSTRIES NO. J9000AL



**STAGE CURTAIN
HEAVY DUTY TRACK
& SUPPORTING PIPE
BATTEN**

NOTES:

- 2" OD ALUMINUM BACKBONE PIPE
- CHAIN SUPPORTS - PROOF COIL WELDED LINK CHAIN
- PROVIDE PIPE CLAMPS (.750" W) ON 5 FT. CENTERS



SCALE = HALF SIZE